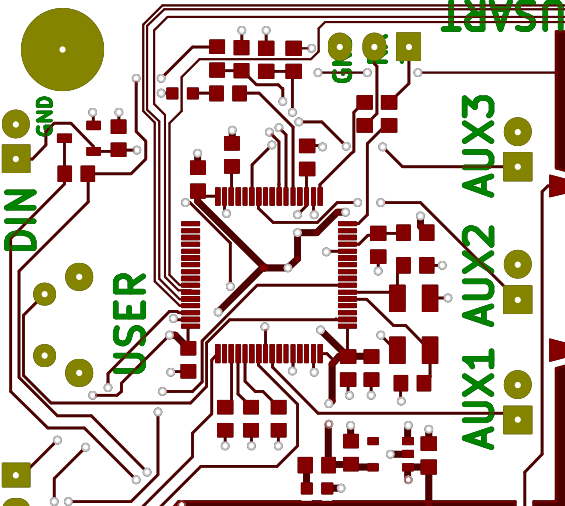


CC 20151102 rev. C

RESET



AUX1 AUX2 AUX3

<https://savannah.nongnu.org/projects/plussydisplay>

VCC
GND

Power, 5V

WS2812B
DOUT
GND

Power, 5V

GND
VCC

Plussy v2 Summit Edition